

LawnMaster®

Cuts it all!

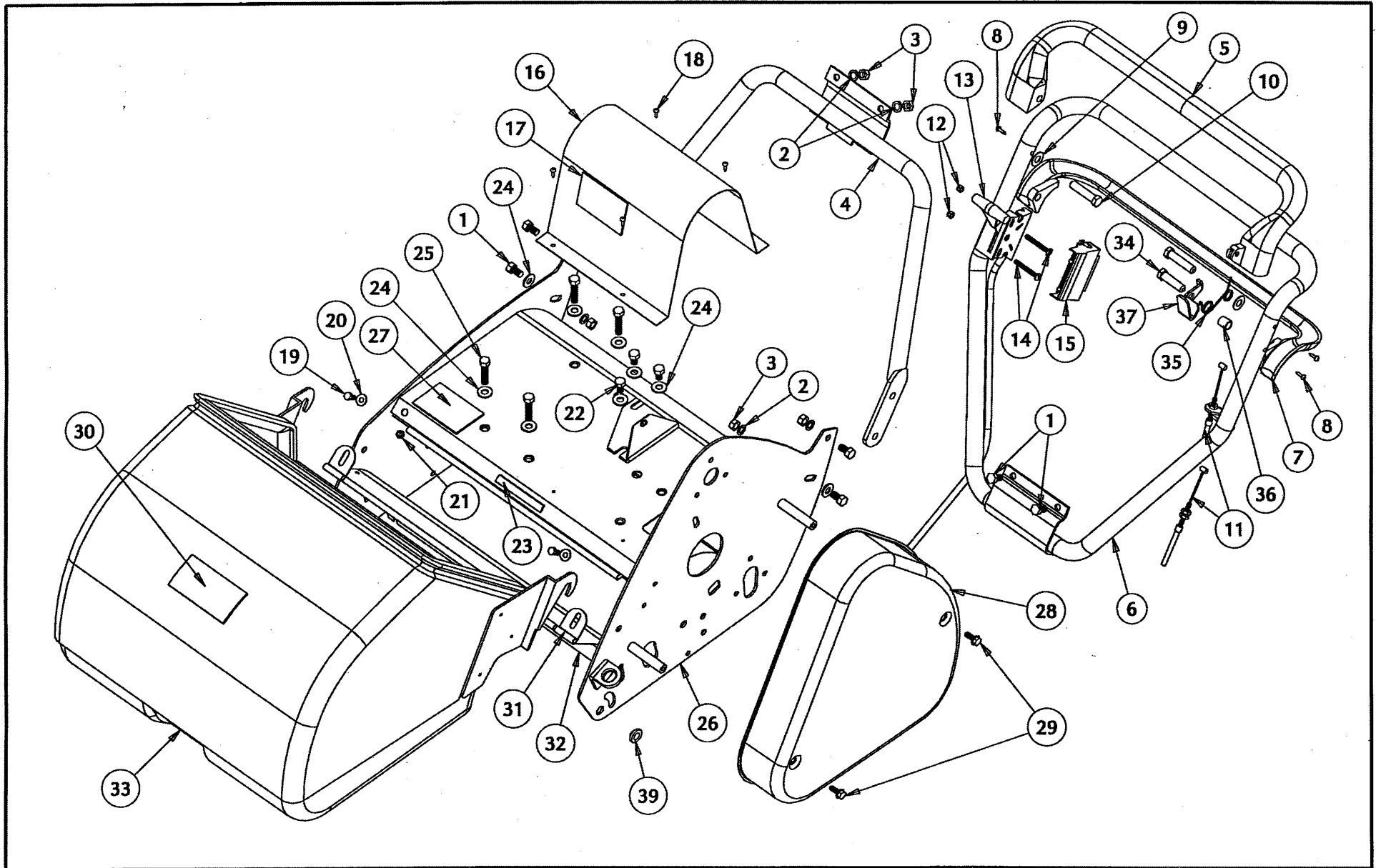
LAWN AND GARDEN PRODUCTS PARTS CATALOGUE

SECTION 3

REEL MOWER PARTS DIAGRAMS

MODEL: TWIN DRIVE REEL MOWER (ALL MODELS) - FRAME ASSEMBLY

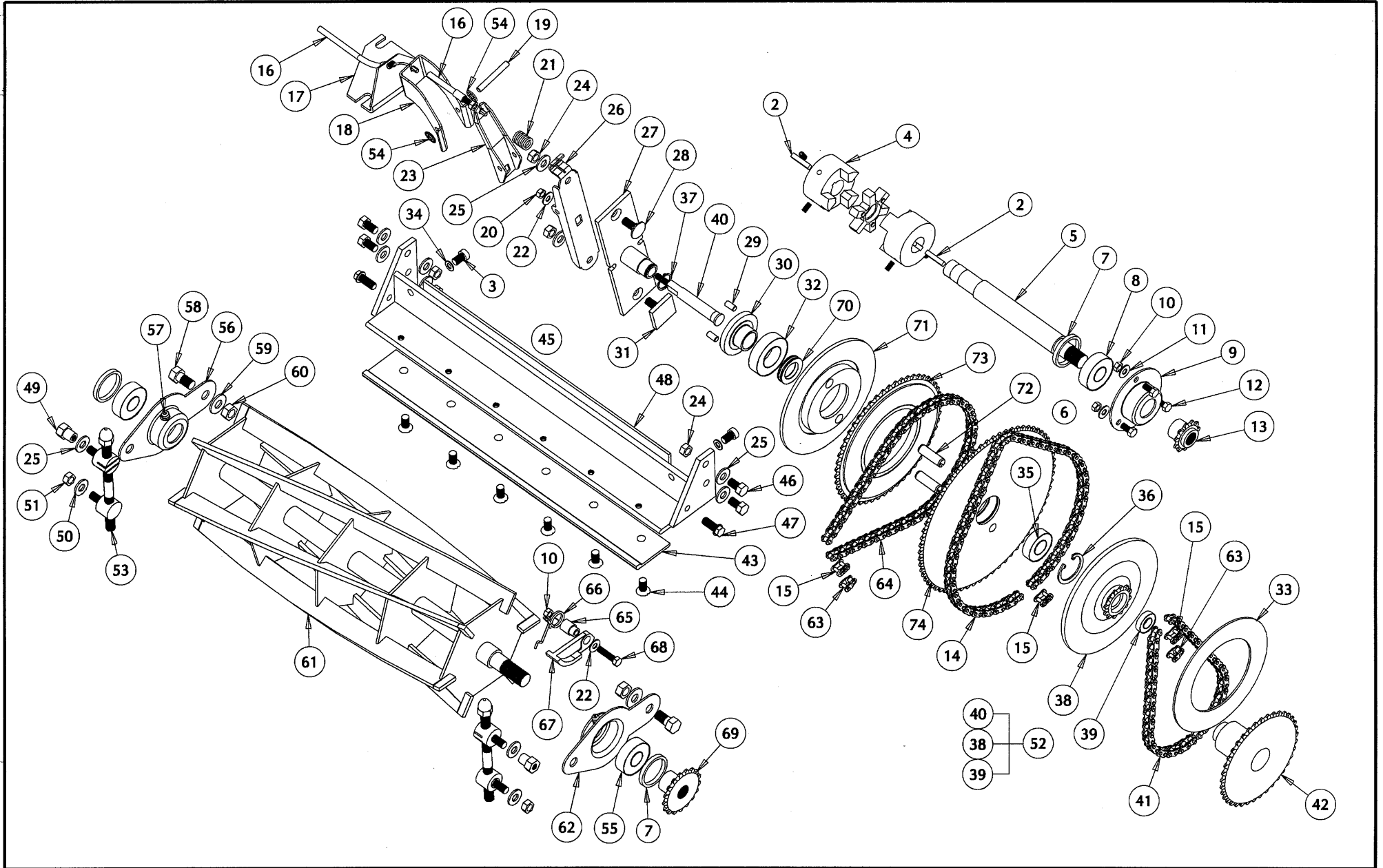
v2 Aug 06



**MODEL:TWIN DRIVE REEL MOWER (ALL MODELS) - FRAME ASSEMBLY**

2 August 06

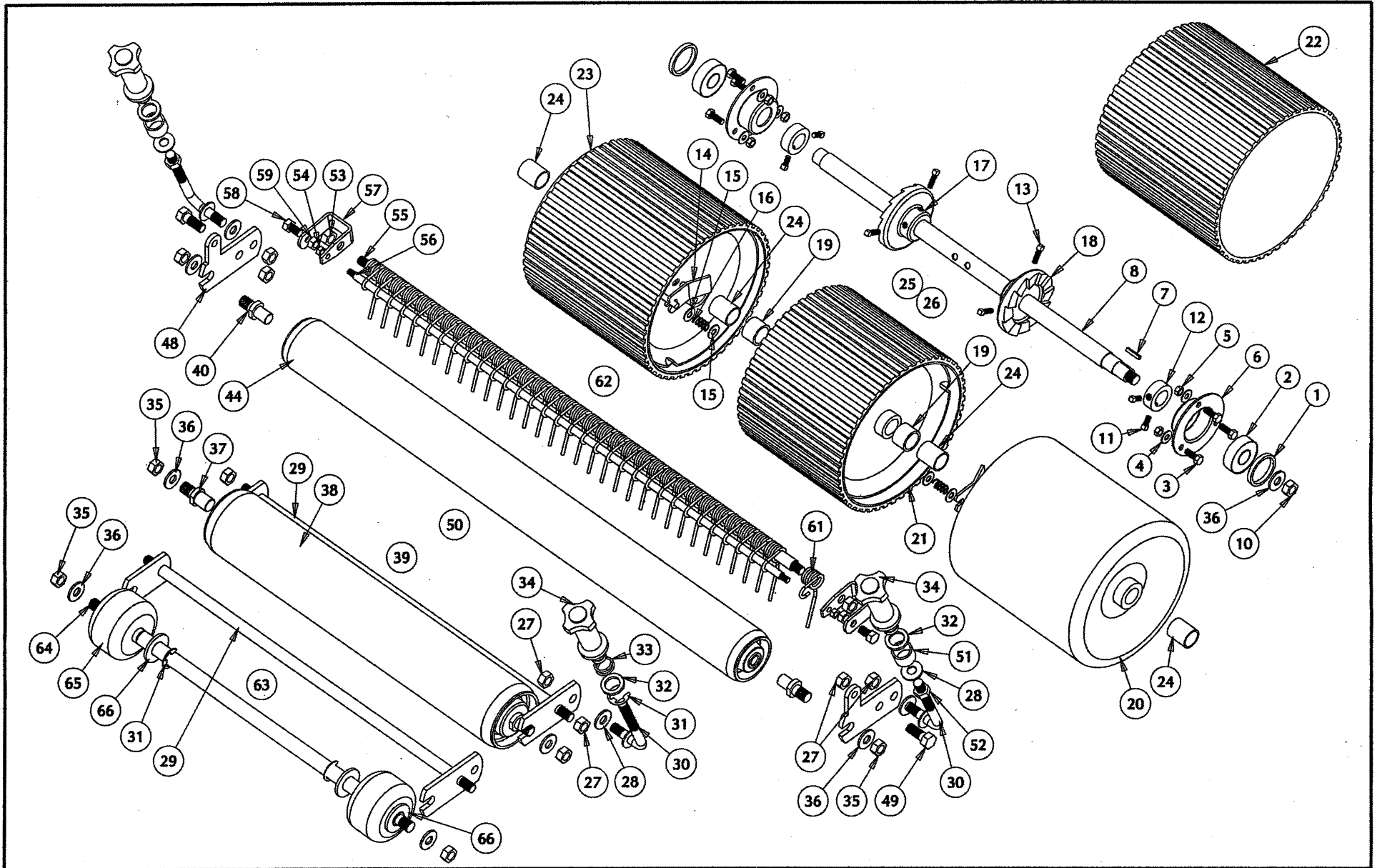
ITEM	DESCRIPTION	PART No	ITEM	DESCRIPTION	PART No
1	BOLT HT ZP M8X20 SET SCREW	FBOPLO2	26	FRAME 500 W/A RED	L1505-710R
2	WASHER SPRING ZP M8	FWAPL58	26	FRAME 500 W/A MASPORT	L1505-710M
3	NUT ZP M8	FNUPL08	26	FRAME GOLF W/A MTD GREEN	L1705-710G
4	HANDLE LOWER 400 CHROME	L1450-150	26	FRAME GOLF W/A SILVER	L1705-710S
4	HANDLE LOWER 500 CHROME	L1550-150	26	FRAME 660 W/A SILVER	L1605-710S
4	HANDLE LOWER 660 CHROME	L1650-150	26	FRAME 660 W/A RED	L1605-710R
4	HANDLE LOWER 500 EXT YELLOW	L1260-450Y	26	FRAME 660 W/A MASPORT	L1605-710M
5	LEVER-CLUTCH UPPER REEL BLK	L1050-720B	26	FRAME-SPORT W/A SILVER	L1105-710S
6	HANDLE-UPPER OPC CHROME	L1050-705C	26	FRAME-SPORT W/A MASPORT	L1105-710M
6	HANDLE-UPPER OPC YELLOW	L1050-705Y	27	DECAL-CAUTION REEL	L1070-230
7	LEVER-CLUTCH LOWER REEL BLK	L1050-730B	28	GUARD-CHAIN SILVER	L1010-705S
8	SCREW TAPTITE M5X12	L0108-027	28	GUARD-CHAIN RED	L1010-705R
9	WASHER-PLASTIC 10 X 20 X 1	L1050-715	28	GUARD-CHAIN MTD GREEN	L1010-705G
10	BOSS-PIVOT LEVER ZP	L1050-710Z	28	GUARD-CHAIN MASPORT	L1010-705M
11	CABLE-CLUTCH ASSY TWIN DRIVE	L1050-700	29	SCREW TAPTITE M6X16 HEX HD ZP	L0108-030
12	NUT NYLOC ZP M5	FNLPL05	30	DECAL MOWER TD L/M 400	L1470-145
13	THROTTLE CONTROL REEL TEC	L1050-090	30	DECAL CATCHER L/M 400 WHITE	L1470-147
14	SCREW MC ZP PHD POZI M5X40	FSCPL05	30	DECAL MOWER TD L/M 500	L1570-145
15	THROTTLE CTRL CASE 860MM	L1050-095	30	DECAL CATCHER L/M 500 WHITE	L1570-147
16	COVER-SHAFT 400 SILVER	L1410-700S	30	DECAL MOWER TD L/M 660	L1670-145
16	COVER-SHAFT 400 MTD GREEN	L1410-700G	30	DECAL CATCHER L/M 660C WHITE	L1670-147
16	COVER-SHAFT 400 RED	L1410-700R	31	GRASS THROWER TAB SC	L1010-190
16	COVER-SHAFT 400 MASPORT	L1410-700M	32	GRASS THROWER 400 RED	L1410-195R
16	COVER-SHAFT 500/660 SILVER	L1510-700S	32	GRASS THROWER 400 MASPORT	L1410-205
16	COVER-SHAFT 500/660 MTD GREEN	L1510-700G	32	GRASS THROWER 400 SILVER	L1410-215
16	COVER-SHAFT 500/660 RED	L1510-700R	32	GRASS THROWER 400 MTD GREEN	L1410-220
16	COVER-SHAFT 500/660 MASPORT	L1510-700M	32	GRASS THROWER 500 MASPORT	L1510-205
17	DECAL MOWER TD L/M 400	L1470-145	32	GRASS THROWER 500 SILVER	L1510-215
17	DECAL MOWER TD L/M 400 BLACK	L1470-146	32	GRASS THROWER 500 MTD GREEN	L1510-220
17	DECAL MOWER TD L/M 500	L1570-145	32	GRASS THROWER 500 RED	L1510-225
17	DECAL MOWER TD L/M 500 BLACK	L1570-146	32	GRASS THROWER 660 RED	L1610-195R
17	DECAL MOWER TD L/M 660	L1670-145	32	GRASS THROWER 660 SILVER	L1610-195S
17	DECAL MOWER TD L/M 660C	L1670-146	32	GRASS THROWER 660 MASPORT	L1610-205
18	SCREW ST SS PHD SQ #6X1/2	FSCPL08	33	CATCHER 400 BLACK COMPLETE	L1465-260
19	BOLT ZP M6X12 SET SCREW	FBOPLO3	33	CATCHER 500 BLACK COMPLETE	L1565-250
20	WASHER SPRING ZP M6	FWAPL56	33	CATCHER ASSY 660 BLACK	L1665-200B
21	NUT ZP M6	FNUPL06	34	BOSS-PIVOT LEVER 41.5MM ZP	L1050-712Z
22	BOLT HT ZP M8X16 SET SCREW	FBOPL18	35	SPRING LEVERLOCK	L1050-709
23	DECAL-RAZOR CUT SYSTEM	L1070-234	36	SPACER LEVER LOCK ZP	L1050-707Z
24	WASHER FLAT ZP M8X19X1.6	FWAPL08	37	LEVER LOCK RED	L1050-706R
25	BOLT HT ZP M8X35 SET SCREW	FBOPL35	38		
26	FRAME 400 W/A SILVER	L1405-710S	39	WASHER KEEPER SIDE PLATE	L1005-178
26	FRAME 400 W/A MTD GREEN	L1405-710G			
26	FRAME 400 W/A RED	L1405-710R			
26	FRAME 400 W/A MASPORT	L1405-710M			
26	FRAME 500 W/A SILVER	L1505-710S			
26	FRAME 400 W/A MTD GREEN	L1405-710G			



**MODEL:TWIN DRIVE REEL MOWER (ALL MODELS) - DRIVE SYSTEM**

1 June 06

ITEM	DESCRIPTION	PART No	ITEM	DESCRIPTION	PART No
2	KEY CENT CLUTCH KEY 3/16X1	L1015-385	42	SPROCKET-ROLLER 39T WA	L1020-753
3	SCREW SKT HD SS 5/16X1/2 UNC	FSCPL55	43	BLADE BOTTOM 400	L1440-300
4	COUPLING-INLINE 3/4"TYPE 095	L1015-700	43	BLADE BOTTOM 500	L1540-300
4	COUPLING-INLINE 5/8"TYPE 095	L1015-705	43	BLADE BOTTOM 660	L1640-300
5	BAR-DRIVE 400 3/4" BLACK	L1415-700B	43	BLADE BOTTOM SHAVER GOLF	L1740-295
5	BAR-DRIVE 400 5/8" BLACK	L1415-710B	43	BLADE BOTTOM SHAVER 660	L1640-295
5	BAR-DRIVE 500/660 3/4" BLACK	L1515-700B	44	SCREW MC ZP CSK SLT 5/16X1/2	FSCPL41
5	BAR-DRIVE 500/660 5/8" BLACK	L1515-710B	45	BLADE BOTTOM ASSY 400 BLACK	L1440-450
6	BAR-DRIVE ASSY 400 3/4"	L1415-705	45	BLADE BOTTOM ASSY 500 BLACK	L1540-450
6	BAR-DRIVE ASSY 400 5/8"	L1415-715	45	BLADE BOTTOM ASSY 660 BLACK	L1640-450
6	BAR-DRIVE ASSY 500/660 3/4"	L1515-705	45	BLADE BOTTOM ASSY GOLF BLACK	L1740-450
6	BAR-DRIVE ASSY 500/660 5/8"	L1515-715	45	BLADE BOTTOM ASSY 660S BLACK	L1640-460
7	SPACER BEARING PLASTIC HDPE	L1060-120	46	BOLT HT ZP M8X20 SET SCREW	FBOPLO2
8	BEARING 6203-2RS	FBRL080	47	SCREW TAPTITE M8X20 HEX HD ZP	L0108-039
9	HOUSING BEARING ROUND PAINTED	L1060-145	48	CARRIER ASSY BOTTOM BLADE 400	L1440-390
10	NUT ZP M6	FNUPL06	48	CARRIER ASSY BOTTOM BLADE 500	L1540-390
11	WASHER SPRING ZP M6	FWAPL56	48	CARRIER ASSY BOTTOM BLADE 660	L1640-390
12	BOLT HT ZP M6X16 SET SCREW	FBOPLO1	49	STUD CATCHER ZP	L1035-240
13	SPROCKET-MOTOR 10T	L1020-741	50	WASHER FLAT ZP M8X19X1.6	FWAPLO8
14	CHAIN-3/8"35-1 72P ENDLESS	L1025-725	51	NUT NYLOC ZP M8	FNLPL08
15	CHAIN CONN LINK 3/8 ANSI 35	L1025-490	52	CLUTCH & BEARING ASSY	L1020-731
16	CABLE-CLUTCH ASSY TWIN DRIVE	L1050-700	53	ADJ ASSY REEL SQUEEZED	L1035-290
17	BRACKET-CABLE RETAIN W/A BLACK	L1020-785B	54	WASHER STARLOCK M6 PUSHON FIX	L0135-015
18	BRACKET - CLUTCH REEL ZP	L1020-710Z	55	BEARING 6203 Z	FBRL070
19	PIN-6 X 45 LONG ZP	L1020-770Z	56	HOUSING REEL BEARING RH BLACK	L1035-215
20	NUT NYLOC ZP M6	FNLPL06	57	NIPPLE GREASE 1/4 SAE STRAIGHT	L1060-110
21	SPRING CLUTCH ZP	L1220-395	58	BOLT REEL ADJ PIVOT ZP	L1035-230
22	WASHER FLAT ZP M6X16X1.2	FWAPLO6	59	WASHER REEL BRG HSNQ 3/8 ZP	L1035-200
23	LEVER - CLUTCH ROLLER ZP	L1020-700Z	60	NUT NYLOC ZP 3/8 UNF	FNLPL45
24	NUT ZP M8	FNUPL08	61	REEL ASSY COMPL 400 BLACK	L1435-400
25	WASHER SPRING ZP M8	FWAPL58	61	REEL ASSY COMPL 500 BLACK	L1535-400
26	BRACKET - CLUTCH ROLLER ZP	L1020-705Z	61	REEL ASSY COMPL 660 6BLADE BLK	L1635-400
27	PLATE-CLUTCH MOUNT W/A	L1020-720	61	REEL ASSY COMPL GOLF BLACK	L1735-400
28	BOLT ZP M8X20 CUP HD	FBOPL21	61	REEL ASSY COMP 660 10BLADE BLK	L1135-400
29	PIN - CLUTCH THRUST	L1020-726	62	HOUSING REEL BEARING LH BLACK	L1035-205
30	BLOCK - CLUTCH THRUST	L1020-725	63	CHAIN CRANK LINK 3/8 ANSI 35	L1025-480
31	PLATE-CLAMP CLUTCH ASSY	L1020-765	64	CHAIN-3/8"35-1 67P ENDLESS	L1025-720
32	BEARING 6005-2RS	FBRL130	65	BOSS-CHAIN TENSION	L1025-700
33	LINING - CLUTCH 2MM	L1020-760	66	SPRING-TORSION REEL	L1025-705
34	WASHER FLAT SS M8X19X1.6	FWAPLO9	67	SHOE-CHAIN TENSION	L1025-710
35	BEARING 6003-2RS	FBRL120	68	BOLT ZP M6X30 SET SCREW	FBOPLO9
36	CIRCLIP-INTERNAL 35MM	L0135-064	69	SPROCKET-REEL 17T	L1020-755
37	CIRCLIP-EXTERNAL 17MM	L0135-063	70	SPRING-DISC (BISSELL)	L1020-762
38	PLATE-CLUTCH ROLLER W/A	L1020-730	71	PLATE-DRIVE	L1020-810
39	BEARING 6901-2RS1	FBRL110	72	PIN ROLL M10 X 30	L1020-739
40	BAR - CLUTCH CONTROL	L1020-715	73	SPROCKET-51T COMPLETE	L1020-744
41	CHAIN-3/8"35-1 53P ENDLESS	L1025-716	74	SPROCKET-CLUTCH 66TEETH 2002	L1020-800



**MODEL:TWIN DRIVE REEL MOWER (ALL MODELS) - ROLLER ASSEMBLY**

v2 April 07

ITEM	DESCRIPTION	PART No	ITEM	DESCRIPTION	PART No
1	SPACER BEARING PLASTIC HDPE	L1060-120	34	HANDWHEEL FRONT ROLLER ADJ	L1045-240
2	BEARING 6203-2RS	FBRL080	35	NUT NYLOC ZP M12	FNLPL12
2	BEARING 6203 Z	FBRL070	36	WASHER FLAT ZP M12X25X1.6	FWAPL12
3	BOLT HT ZP M6X16 SET SCREW	FBOPL01	37	STUB SHAFT-STEEL FRONT ROLLER	L1045-300
4	WASHER SPRING ZP M6	FWAPL56	38	ROLLER FRONT STEEL TUBE 400	L1445-405
5	NUT ZP M6	FNUPL06	38	ROLLER FRONT STEEL TUBE 500	L1545-405
6	HOUSING BEARING ROUND PAINTED	L1060-145	38	ROLLER FRONT STEEL TUBE 660	L1645-405
7	KEY BACK ROLLER DRIVE 1/8X3/8	L1030-170	39	ROLLER FRONT ASSY-STEEL 400	L1445-420
8	SHAFT BACK ROLLER DRILLED 400	L1430-350	39	ROLLER FRONT ASSY-STEEL 500	L1545-420
8	SHAFT BACK ROLLER DRILLED 500	L1530-350	39	ROLLER FRONT ASSY-STEEL 660&C	L1645-420
8	SHAFT BACK ROLLER DRILLED 660	L1630-350	40	STUB SHAFT-STEEL ROLLER 60 OD	L1045-301
9			41		
10	NUT ZP HALF M12	L0110-013	42		
11	SCREW SQHD CUP POINT 5/16X3/8	L0107-040	43		
12	COLLAR LOCKING BACK ROLLER ZP	L1030-230	44	ROLLER FRONT-STEEL GOLF	L1745-405
13	SCREW SQHD CUP POINT 5/16X5/8	L0107-041	44	ROLLER FRONT STEEL TUBE 660S	L1645-505
14	PAWL HEAT TREAT BACK ROLLER	L1030-290	45		
15	WASHER FLAT ZP 1/4x5/8x18G	L0115-040	46		
16	SPRING PAWL BACK ROLLER	L1030-270	47		
17	RATCHET BACK ROLLER RH COMPL	L1030-250	48	ROLLER FRT BRKT ASSY GOLF ZP	L1745-200
18	RATCHET BACK ROLLER LH COMPL	L1030-245	49	BOLT HT ZP M10X25 ENG	FBOPL93
19	BACK ROLLER SPACING TUBE 660	L1630-200	50	ROLLER FRONT ASSY-STEEL GOLF	L1745-420
20	DRUM BR ASSY 400 BLACK	L1430-330	50	ROLLER FRONT ASSY-STEEL 660S	L1145-420
20	DRUM BR ASSY GOLF BLACK	L1730-330	51	ROLLER HANDWHEEL SPACER ZP	L1745-215
20	DRUM BR ASSY 500/660 BLACK	L1530-330	52	NUT ZP M10	FNUPL10
21	DRUM CENTRE BR ASSY 660 BLACK	L1630-305	53	NUT NYLOC ZP THIN 3/8 UNF	L0111-046
22	BUSH SINTERED BRONZE 3/4X7/8X1	L1730-190	54	NUT NYLOC ZP M6	FNLPL06
23	DRUM ASSY 400 RUBBER B/R	L1230-302	55	SHAFT TURF RAKE 1/2 660 ZP	L1145-130
23	DRUM ASSY 500/660 RUBBER	L1230-320	55	SHAFT TURF RAKE 1/2 GOLF ZP	L1745-130
23	DRUM CENTRE RUBBER 660	L1230-305	56	SHAFT TURF RAKE 5/16 660 ZP	L1145-140
24	BUSH SINTERED BRONZE 3/4X7/8X1	L1730-190	56	SHAFT TURF RAKE 5/16 GOLF ZP	L1745-140
25	ROLLER BACK ASSY+BRGS 400	L1430-450	57	TURF RAKE BRKT ZP	L1745-105
25	ROLLER BACK ASSY+BRGS 500	L1530-450	58	BOLT HT ZP M8X16 SET SCREW	FBOPL18
25	ROLLER BACK ASSY+BRGS 660	L1630-450	59	NUT NYLOC ZP M8	FNLPL08
25	ROLLER BACK ASSY+BRGS GOLF	L1730-450	60		
26	ROLLER BACK ASSY RUBBER 400	L1230-360	61	TINE TURF RAKE	L1745-120
26	ROLLER BACK ASSY RUBBER 500	L1230-395	62	TURF RAKE ASSY COMPL 660	L1145-150
26	ROLLER BACK ASSY RUBBER 660	L1230-400	62	TURF RAKE ASSY COMPL GOLF	L1745-150
27	NUT NYLOC ZP M10	FNLPL10	63	ROLLER FRONT ASSY 400 KIT	L1445-305
28	WASHER FLAT ZP M10X21X1.6	FWAPL10	63	ROLLER FRONT ASSY 500 KIT	L1545-305
29	ROLLER FRONT BRKT ASSY 500 ZP	L1545-300	63	ROLLER FRONT ASSY 660 KIT	L1645-305
29	ROLLER FRONT BRKT ASSY 400 ZP	L1445-300	64	SHAFT FRONT ROLLER 400 ZP	L1445-395
29	ROLLER FRONT BRKT ASSY 660 ZP	L1645-300	64	SHAFT FRONT ROLLER 500 ZP	L1545-395
30	STUD FRONT ROLLER ADJ CHROME	L1045-230	64	SHAFT FRONT ROLLER 660 ZP	L1645-395
31	E CLIP 5/8"	L0135-025	65	ROLLER WOOD 45MM STAINED	L1045-385
32	WASHER FLAT ZP M16x25x1.6	L0115-016	66	WASHER FLAT ZP M16X34X3.0	L0115-056
33	SPRING FRONT ROLLER ADJUSTER	L1045-220			